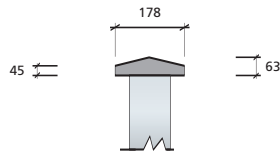


Wall Copings & Pillar Caps

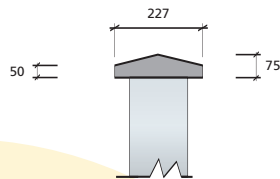
Manufactured in 915mm (36") lengths
(unless otherwise stated)

Copings



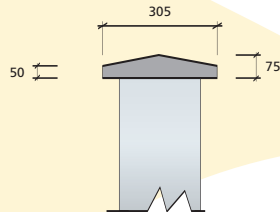
175mm x (7") saddle back wall coping for use on 100mm (4") wall

20 Kgs



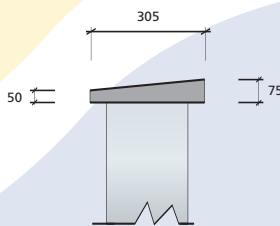
225mm (9") saddle back wall coping for use on 150mm (6") wall

30 Kgs



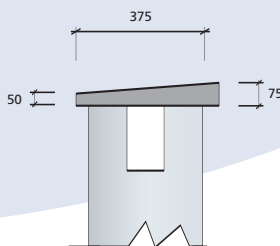
300mm (12") saddle back wall coping for use on 225mm (9") wall

42 Kgs



300mm (12") single splay wall coping for use on 225mm (9") wall

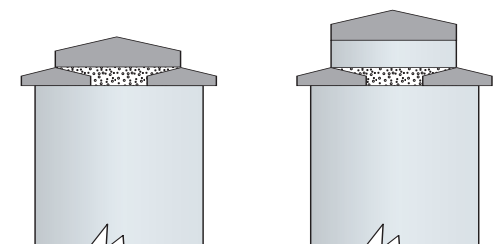
40 Kgs



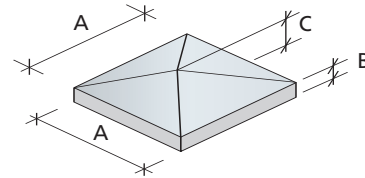
375mm (15") single splay wall coping for use on 300mm (12") cavity or solid wall

51 Kgs

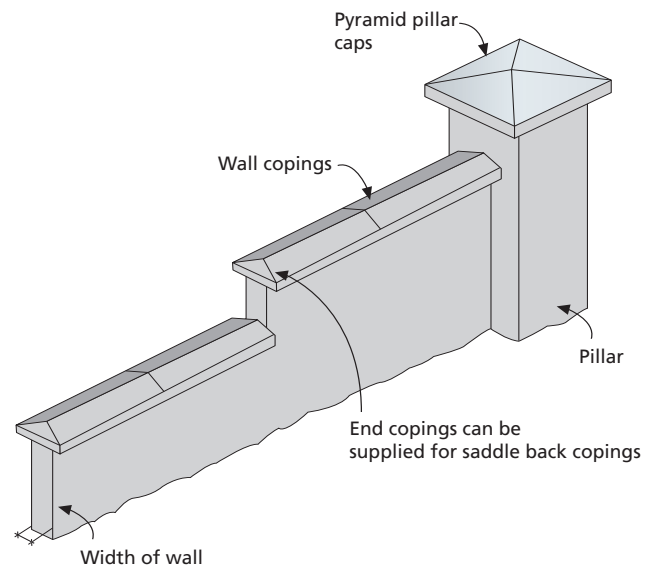
Other wider walls usually suit a deeper coping. This can be achieved by using above copings as sketch below, and filling the centre with mortar.



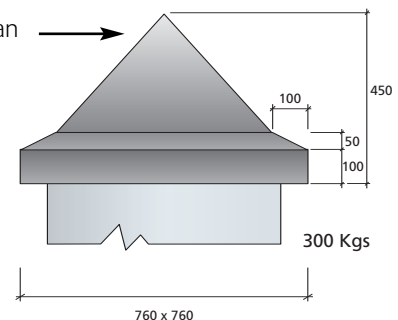
Pillar Caps



Overall Size A-A	Face Depth B	Overall Height C	To Suit Pillar Size	Approx Weight Kgs
305 (12")	40	70	225 (9")	13Kgs
375 (15")	48	80	330 Brick (13")	22Kgs
460 (18")	50	90	330 Block + Plaster (13")	34Kgs
560 (22")	50	95	450 (18")	53Kgs
710 (28")	60	100	560 (22")	95Kgs



Special Pillar Caps can be made on request.



Ref: TC07/1

Date: 1/12/03

TRACEY CONCRETE Limited
Old Rossorry
Sligo Road
Enniskillen
Co.Fermanagh