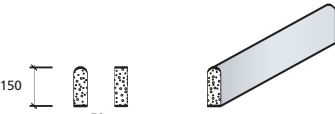
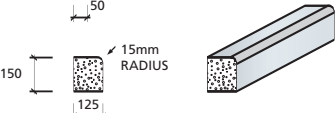
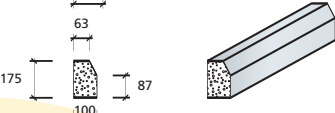


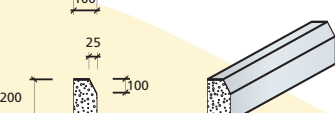
Kerbs & Channels

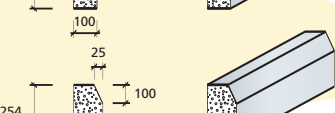
Manufactured in 915mm (36") lengths
(unless otherwise stated)

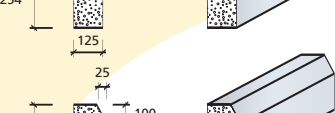
- 

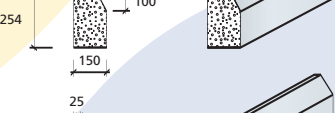
6" x 2" Round Top or Flat top
Kerb-16 Kgs Vibrated
- 

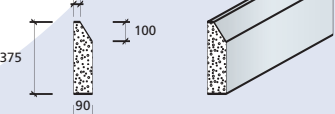
6" x 5" Hyd. Compressed
Bullnose Kerb - 40 Kgs
- 

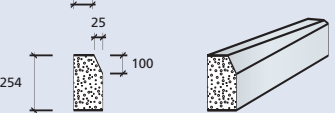
7" x 4" Bevelled Edge Kerb,
Vibrated - 35 Kgs
- 

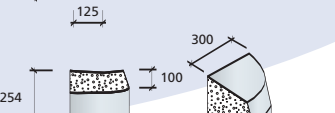
8" x 4" Hyd. Compressed
Half-Batter Kerb - 42 Kgs
- 

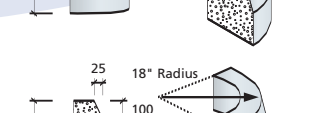
10" x 5" Hyd. Compressed
Half-Batter Kerb - 65 Kgs
- 

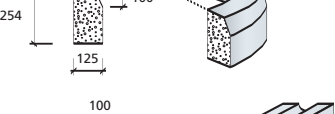
10" x 6" Hyd. Compressed
Half-Batter Kerb - 78 Kgs
- 

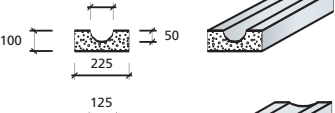
15" x 3 1/2" Dwarfwall or
High Back Kerb - 65 Kgs
Vibrated
- 

10" x 5" to 6" x 5"
Drop Kerb- 52 Kgs
Hyd. compressed
- 

12" Solid Segment - 42 Kgs
Vibrated
- 

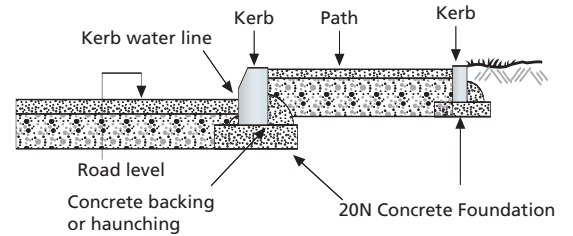
18" Radius Kerb - 46 Kgs
Vibrated
- 

9" x 4" Channel - 40 Kgs
Vibrated
- 

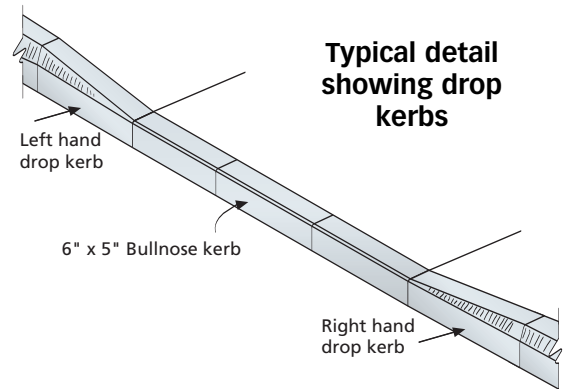
10" x 5" Hyd. Compressed
Channel - 65 Kgs
- 

10" x 10" Safety Kerb or
Slotted Channel - 120 Kgs
Vibrated

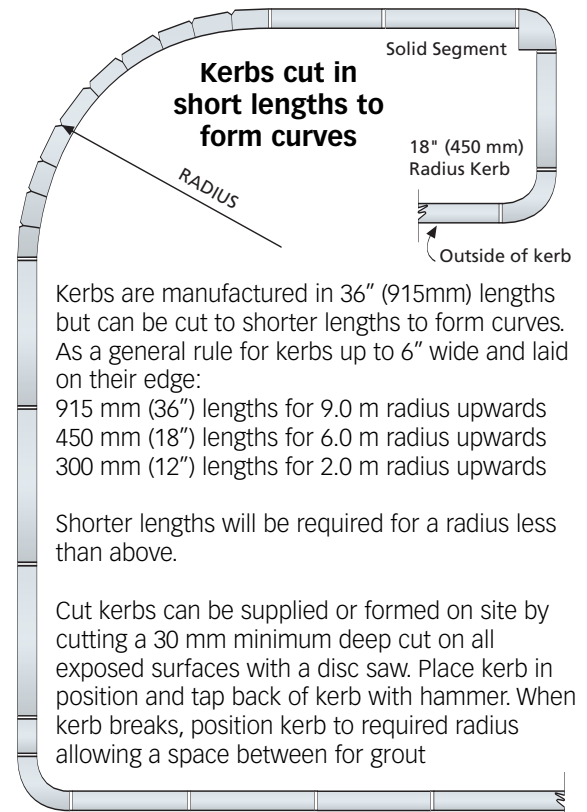
Typical detail showing kerbs laid in position



Typical detail showing drop kerbs



Kerbs cut in short lengths to form curves



Kerbs are manufactured in 36" (915mm) lengths but can be cut to shorter lengths to form curves. As a general rule for kerbs up to 6" wide and laid on their edge:

- 915 mm (36") lengths for 9.0 m radius upwards
- 450 mm (18") lengths for 6.0 m radius upwards
- 300 mm (12") lengths for 2.0 m radius upwards

Shorter lengths will be required for a radius less than above.

Cut kerbs can be supplied or formed on site by cutting a 30 mm minimum deep cut on all exposed surfaces with a disc saw. Place kerb in position and tap back of kerb with hammer. When kerb breaks, position kerb to required radius allowing a space between for grout

Ref: TC04/1

Date: 1/12/03

TRACEY CONCRETE Limited

Old Rossorry
Sligo Road
Enniskillen
Co.Fermanagh