

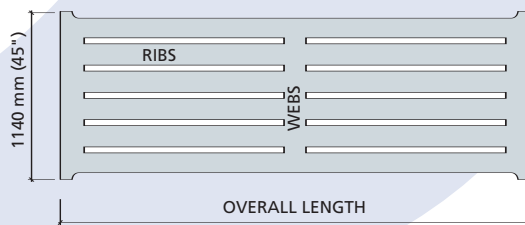
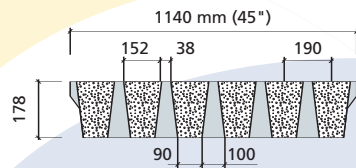
# Cattle Slats, Beams & Slabs



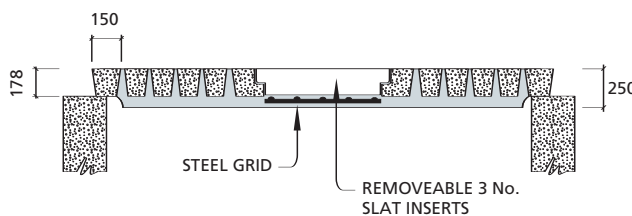
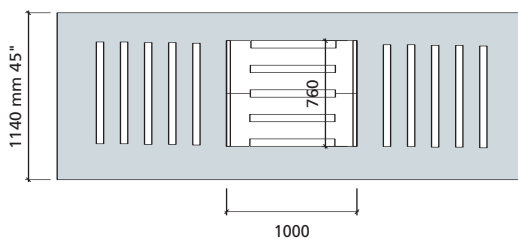
## Reinforced Cattle Slats

- All slats are designed in accordance with **BS 5502** and **IS 297 1978** using high strength concrete 60 N/mm<sup>2</sup> and high yield reinforcing to **BS 4449**.
- All slats, including manhole safety slats, are designed to carry vehicular loading not exceeding 2500 kg for axle or wheel centres not less than 1500 mm centres, heavier loadings on request.
- Slats have a durable, smooth, yet non-slip surface with no sharp edges to damage cattles feet.
- Slats are profiled as shown in section, thus remaining clean.
- Slats are manufactured in lengths from 2150mm (7'0") to 3960mm (13'0") in 150mm (6") increments

SECTION OF SIX GANG SLAT

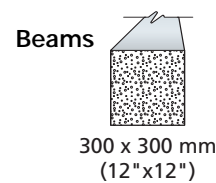


SAFETY MANHOLE GANG SLATS  
in lengths from 3.050 - 3.950mm (10'0" - 13'0")

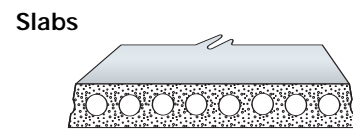


As shown below, safety manhole slats can be supplied with different openings

1. Galv. safety grill plus concrete inserts
2. Hinged Galv. safety grill with Galv. steel lid also hinged

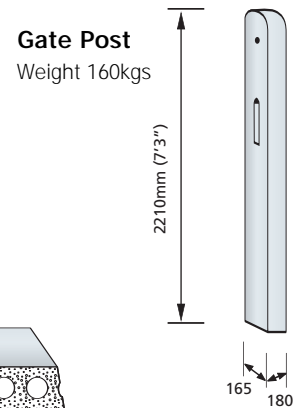


lengths from 6'0" to 13'0"



150 mm (6") 200 mm (8") 250mm (10")

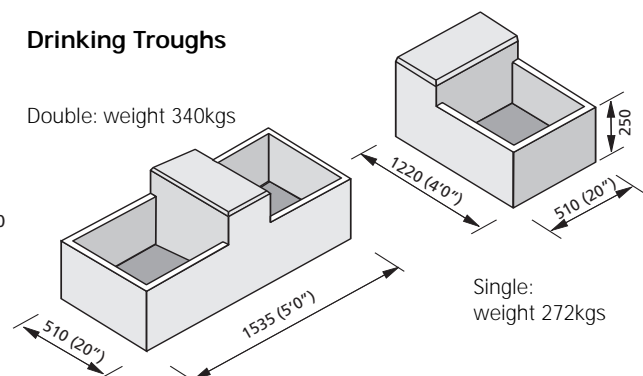
slabs for centred passageways in lengths to suit individual requirements



Gate Post  
Weight 160kgs

## Drinking Troughs

Double: weight 340kgs



Single:  
weight 272kgs

Ref: TC13/1

Date: 1/12/03

**TRACEY CONCRETE Limited**  
Old Rossorry  
Sligo Road  
Enniskillen  
Co.Fermanagh

T: 028 6632 6437 F: 028 6632 4908 From ROI (048) W: traceyconcrete.com E: headoffice@traceyconcrete.com

Whilst all information was correct at time of printing, the company reserves the right, without notice to the purchaser, to alter or change any dimension or illustration.